

Notes:

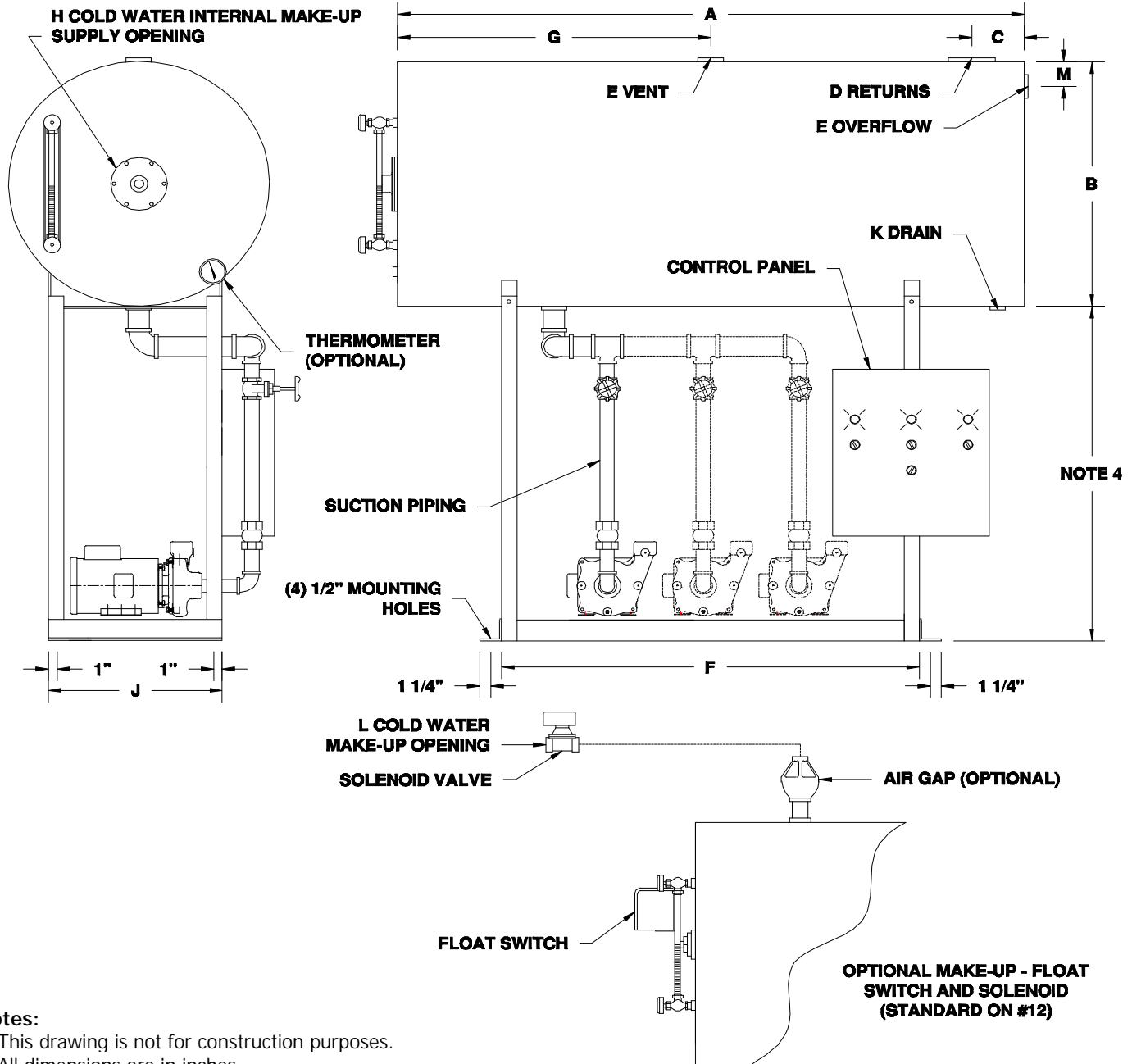
1. This drawing is not for construction purposes.
2. All dimensions are in inches.
3. Duplex and Triplex pumps are shown in phantom.
4. Refer to system model number suffix:
 "B" - 30" "C" -39" "D" - 47" "E" - 57"

Tank No.	2B	3B	4B	5B	6B	7B	8B	9B	10B	11B	12B
Nominal Cap. (Gal.)	30	60	125	225	325	600	750	1000	1200	1500	2000
A	36	36	60	72	72	96	120	120	96	120	120
B	16	22	24	30	36	42	42	48	60	60	72
C	3	3	6	6	6	6	6	9	9	9	9
D	2	2 1/2	3	4	4	4	4	6	6	6	6
E	1	1 1/4	1 1/2	2	2 1/2	3	3	4	4	4	6
F	30	30	36	48	52	60	72	84	72	84	84
G	18	18	30	36	36	48	60	60	72	60	60
H	1/2	1/2	1/2	1/2	1	1	1	1	1	1	--
J	12	14	16	20	24	30	36	44	56	56	66
K	1	1	1	1	1	1	1 1/4	2	2	2	2
L	--	--	--	--	--	--	--	--	--	--	2
M	2	2	2	3	3	4	4	4	4	4	6
N	1 1/4	1 1/2	1 1/2	2	2 1/2	3	4	4	4	4	6

OPTIONAL MAKE-UP - FLOAT SWITCH AND SOLENOID (STANDARD ON #12)

bfs INDUSTRIES, LLC
 BUTNER, NORTH CAROLINA

FEED-PAC DIMENSIONS
 VERTICAL CENTRIFUGAL PUMP



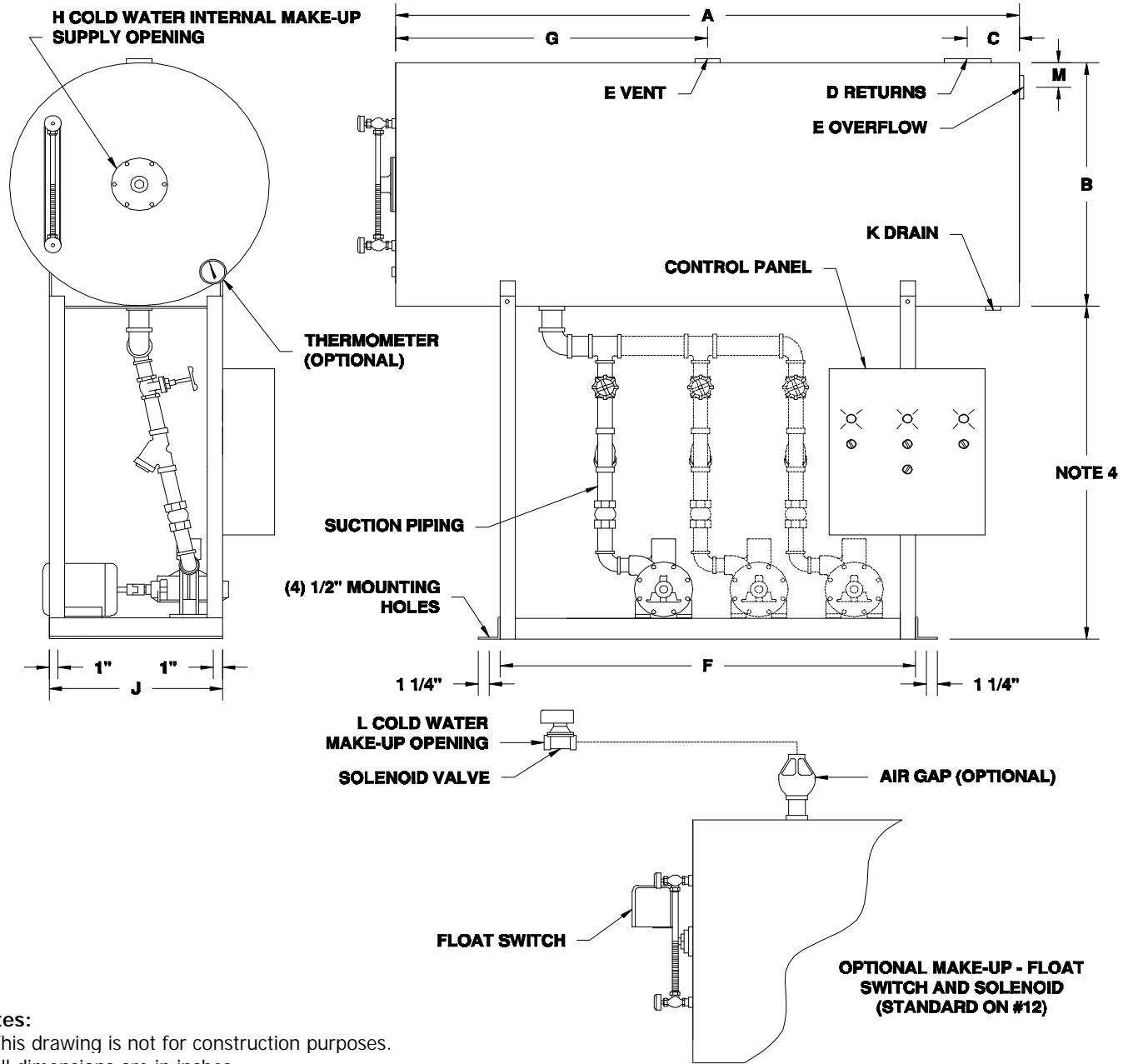
Notes:

1. This drawing is not for construction purposes.
2. All dimensions are in inches.
3. Duplex and Triplex pumps are shown in phantom.
4. Refer to system model number suffix:
 "B" - 30" "C" -39" "D" - 47" "E" - 57"

Tank No.	2B	3B	4B	5B	6B	7B	8B	9B	10B	11B	12B
Nominal Cap. (Gal.)	30	60	125	225	325	600	750	1000	1200	1500	2000
A	36	36	60	72	72	96	120	120	96	120	120
B	16	22	24	30	36	42	42	48	60	60	72
C	3	3	6	6	6	6	6	9	9	9	9
D	2	2 1/2	3	4	4	4	4	6	6	6	6
E	1	1 1/4	1 1/2	2	2 1/2	3	3	4	4	4	6
F	30	30	36	48	52	60	72	84	72	84	84
G	18	18	30	36	36	48	60	60	72	60	60
H	1/2	1/2	1/2	1/2	1	1	1	1	1	1	--
J	12	14	16	20	24	30	36	44	56	56	66
K	1	1	1	1	1	1	1 1/4	2	2	2	2
L	--	--	--	--	--	--	--	--	--	--	2
M	2	2	2	3	3	4	4	4	4	4	6
N	1 1/4	1 1/2	1 1/2	2	2 1/2	3	4	4	4	4	6

bfs INDUSTRIES, LLC
 BUTNER, NORTH CAROLINA

FEED-PAC DIMENSIONS
 HORIZONTAL CENTRIFUGAL PUMP



NOTE 4

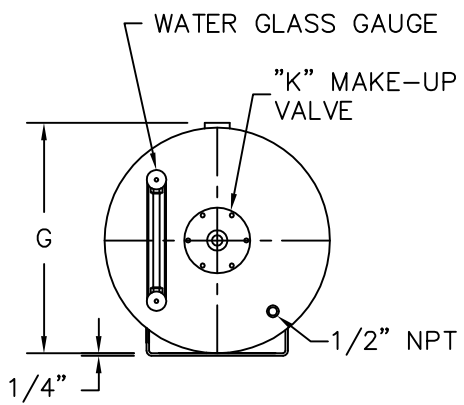
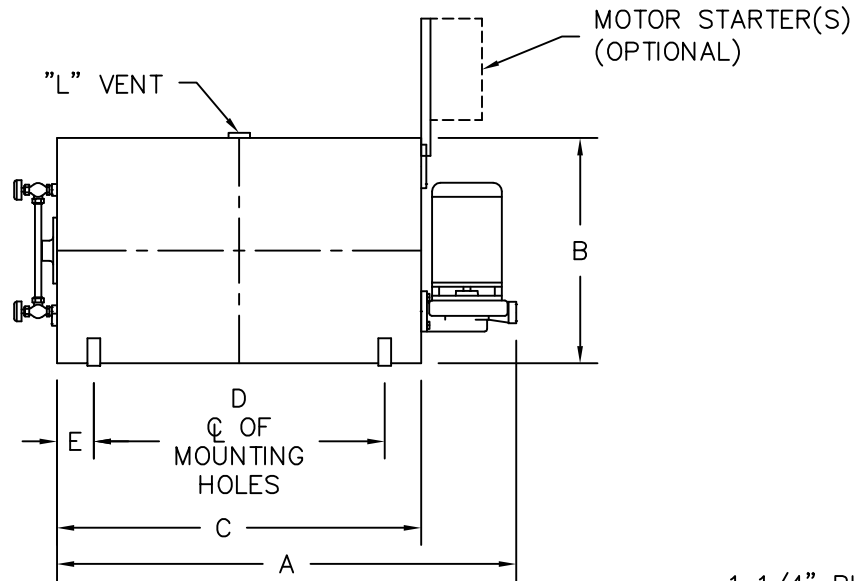
Notes:

1. This drawing is not for construction purposes.
2. All dimensions are in inches.
3. Duplex and Triplex pumps are shown in phantom.
4. Refer to system model number suffix:
 "B" - 30" "C" -39" "D" - 47" "E" - 57"

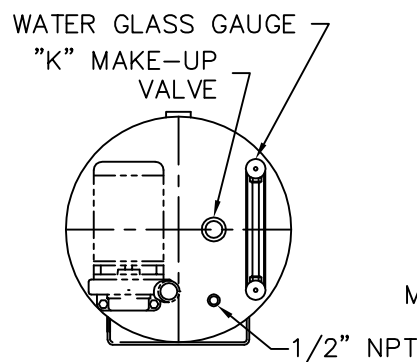
Tank No.	2B	3B	4B	5B	6B	7B	8B	9B	10B	11B	12B
Nominal Cap. (Gal.)	30	60	125	225	325	600	750	1000	1200	1500	2000
A	36	36	60	72	72	96	120	120	96	120	120
B	16	22	24	30	36	42	42	48	60	60	72
C	3	3	6	6	6	6	6	9	9	9	9
D	2	2 1/2	3	4	4	4	4	6	6	6	6
E	1	1 1/4	1 1/2	2	2 1/2	3	3	4	4	4	6
F	30	30	36	48	52	60	72	84	72	84	84
G	18	18	30	36	36	48	60	60	72	60	60
H	1/2	1/2	1/2	1/2	1	1	1	1	1	1	--
J	12	14	16	20	24	30	36	44	56	56	66
K	1	1	1	1	1	1	1 1/4	2	2	2	2
L	--	--	--	--	--	--	--	--	--	--	2
M	2	2	2	3	3	4	4	4	4	4	6
N	1 1/4	1 1/2	1 1/2	2	2 1/2	3	4	4	4	4	6

bfs INDUSTRIES, LLC
 BUTNER, NORTH CAROLINA

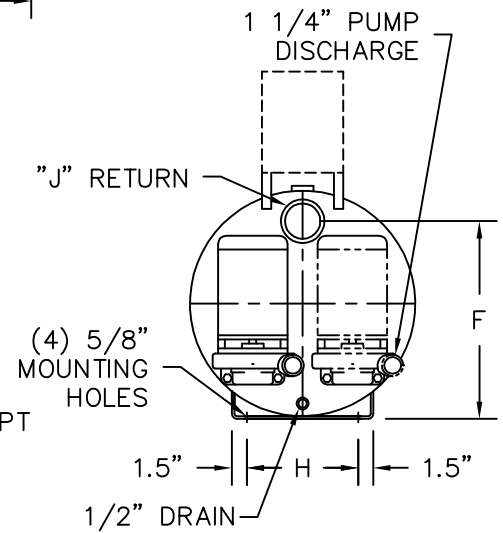
FEED-PAC DIMENSIONS
 TURBINE PUMP



LEFT HEAD



**LPR2 - DUPLEX LEFT HEAD
(SEE NOTE 4)**



RIGHT HEAD

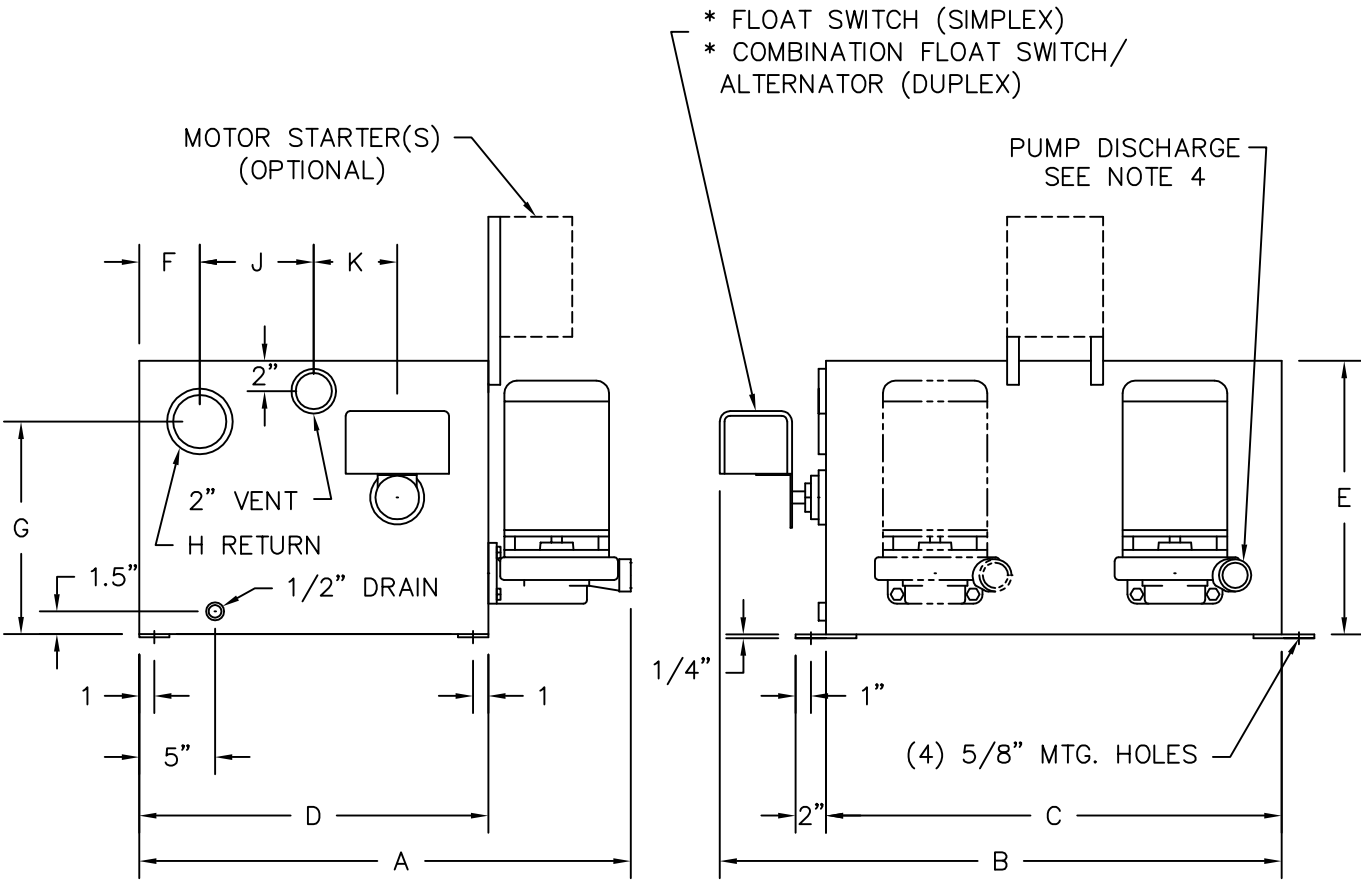
TANK SIZE	GALLONS	DIMENSIONS - INCHES										
		A	B	C	D	E	F	G	H	J	K	L
LPR2	30	47.5	16	36	28.5	3.75	14	17	9	2	0.375	1
LPR3	60	47.5	22	36	28.5	3.75	19.5	23	11	2.5	0.5	1.25
LPR4	125	71.5	24	60	33.5	13.25	21	25	13	3	0.5	1.5
LPR5	225	83.5	30	72	45	13.5	26	31	17	4	0.5	2

NOTES:

1. THIS DRAWING IS NOT FOR CONSTRUCTION PURPOSES.
2. ALL DIMENSIONS ARE IN INCHES.
3. 2nd PUMP ON A DUPLEX SYSTEM IS SHOWN IN PHANTOM (#LPR1 DUPLEX UNIT SEE NOTE 4).
4. ON MODEL LPR2 DUPLEX, SECOND PUMP LOCATED HERE, INCREASE DIM "A" BY 12".

bfs INDUSTRIES, LLC
BUTNER, NORTH CAROLINA

FEED-PAC "LPR" DIMENSIONS



TANK SIZE	GALLONS	DIMENSIONS - INCHES											
		A (1/3-1 HP)	A (1.5-3 HP)	A (3A-5 HP)	B	C	D	E	F	G	H	J	K
LPS1	12	21.5	----	----	23	16	12	14	2.5	10	2	3.5	3.5
LPS2	25	27.5	29.5	28	28	21	18	15	3	11	2	6	6
LPS3	55	33.5	35.5	37	37	30	23	18	6	14	3	5.5	5.5

- NOTES:**
1. THIS DRAWING IS NOT FOR CONSTRUCTION PURPOSES.
 2. ALL DIMENSIONS ARE IN INCHES.
 3. 2nd PUMP ON A DUPLEX SYSTEM IS SHOWN IN PHANTOM.
 4. ALL PUMP DISCHARGE CONNECTIONS ARE 1 1/4", EXCEPT #3LPS33-3A & 3LPS43-5 WILL BE 1 1/2".



FEED-PAC "LPS" DIMENSIONS