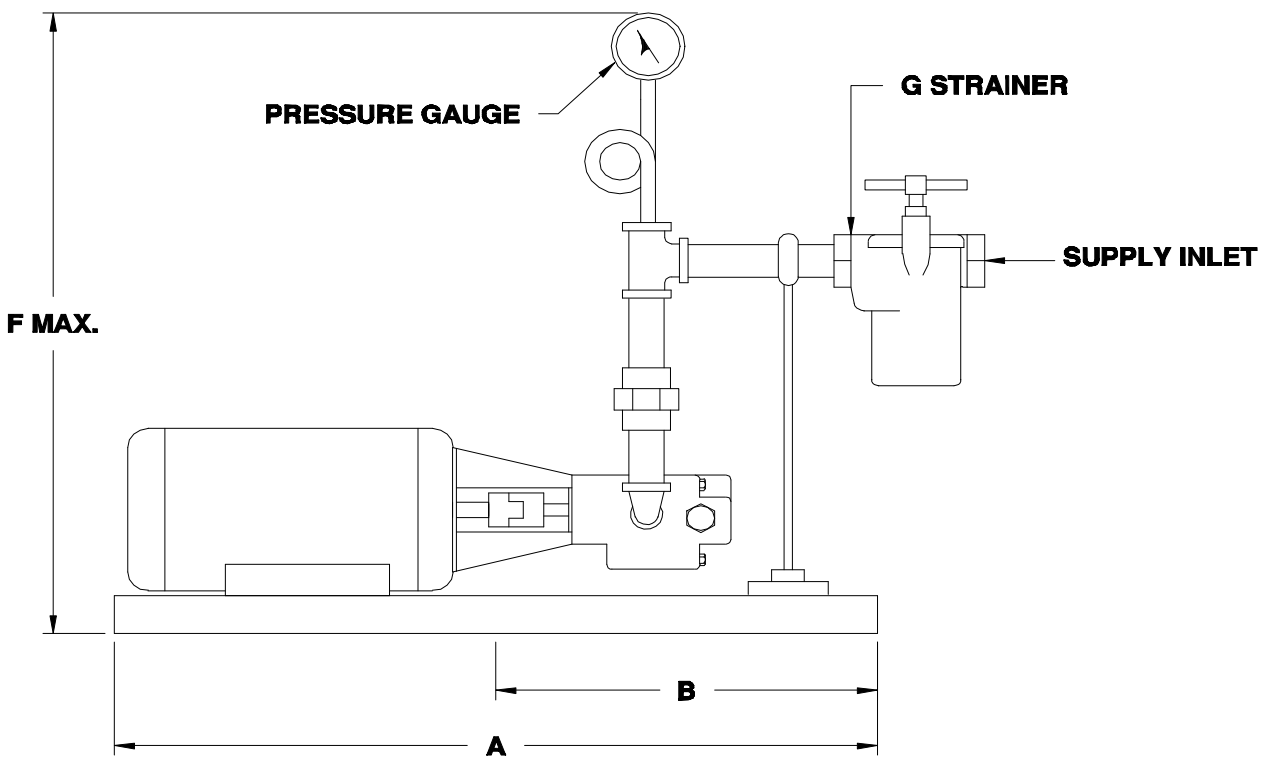
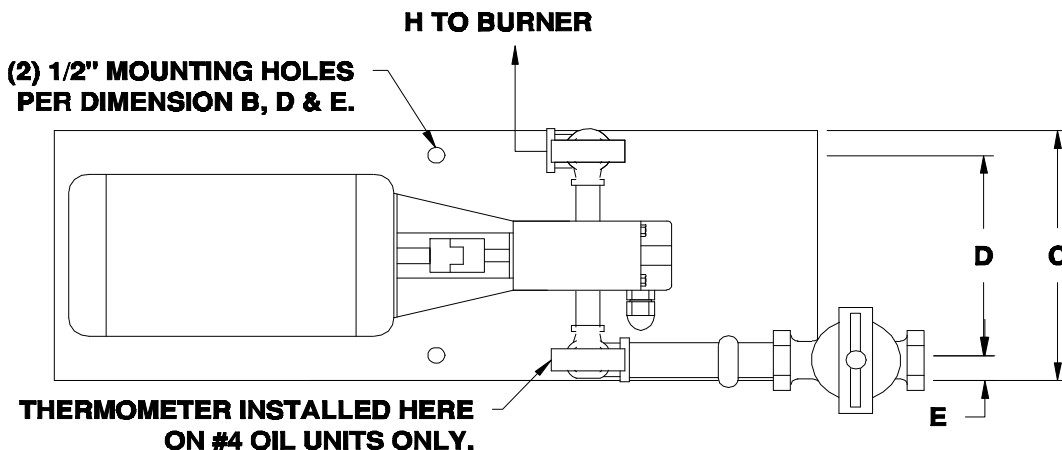
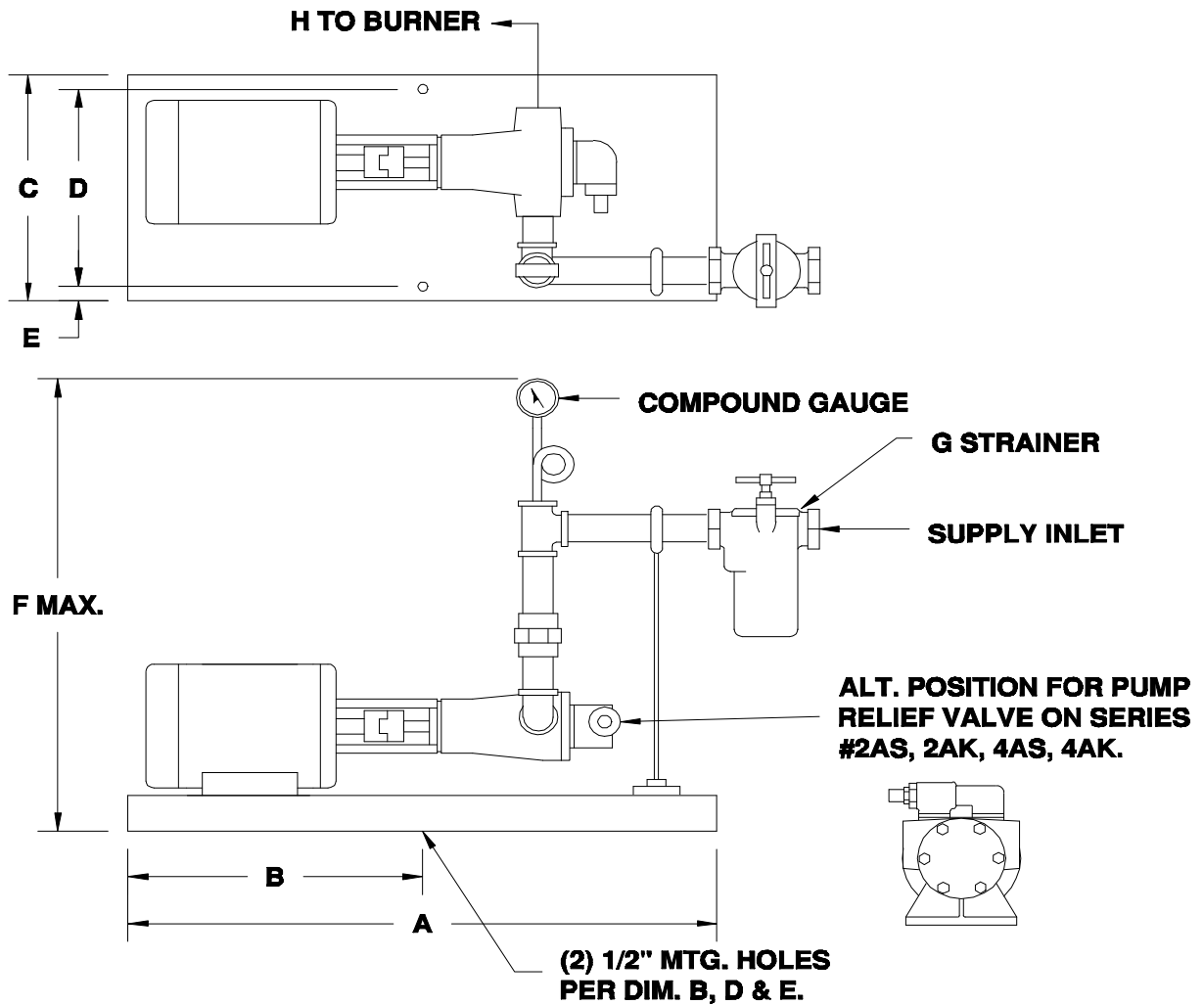


**FUEL-PAC PACKAGE "A" (SIMPLEX)
 2S & 4S SERIES DIMENSIONS**



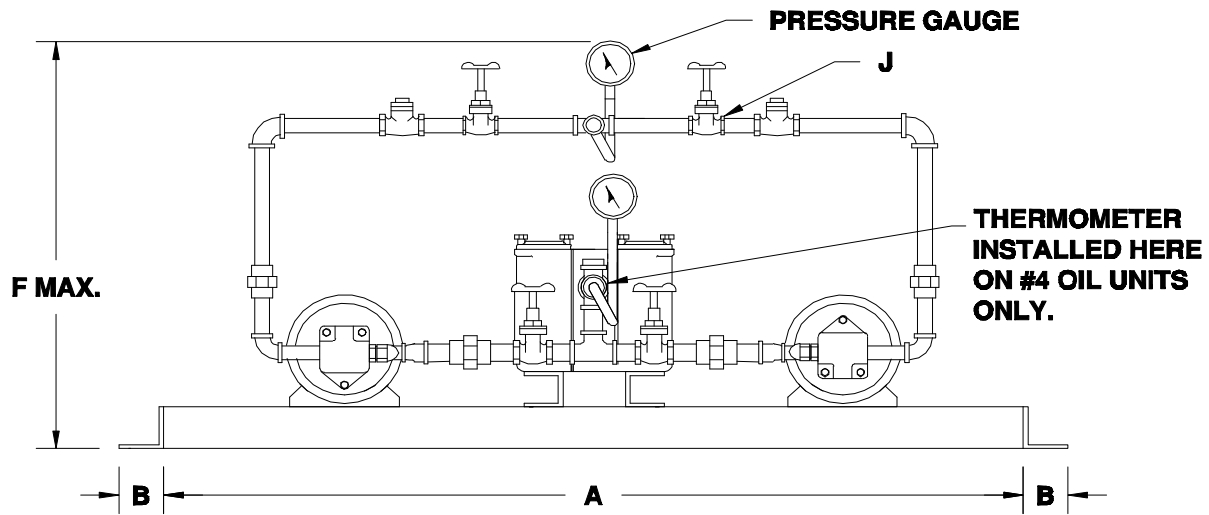
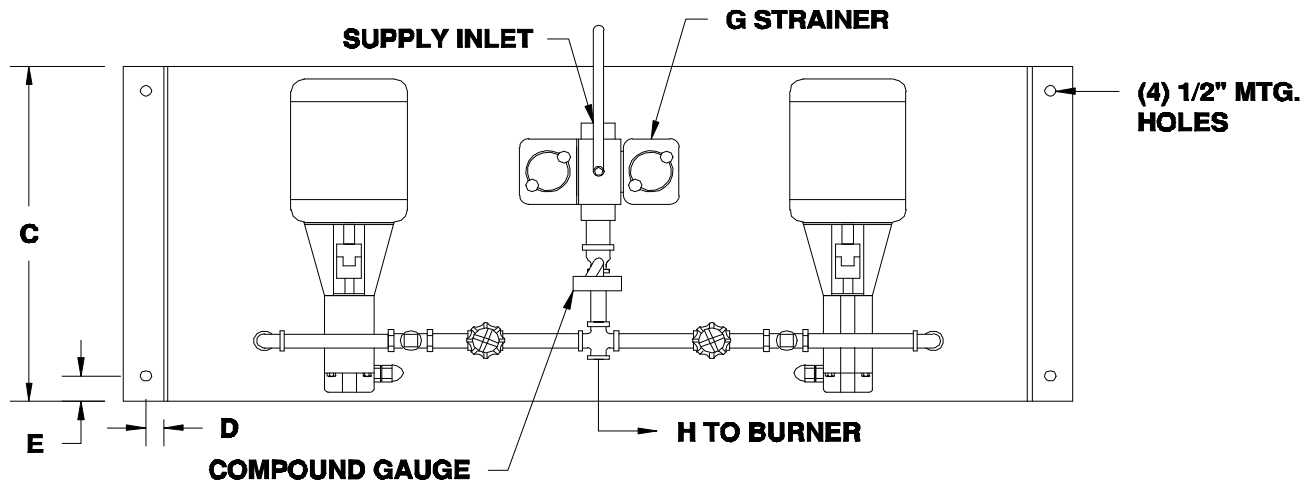
MODEL NUMBER	DIMENSIONS - IN INCHES							
	A	B	C	D	E	F	G	H
2S18-1/3M, 2S35-1/3M	24	12	10	8	1	24	1/2	1/2
2S70-1/3M, 2S10-1/3M, 2S10-1/2M	24	12	10	8	1	24	3/4	1/2
2S14-1/3M, 2S14-1/2M, 2S14-3/4M	24	12	10	8	1	24	1	3/4
4S18-1/3M, 4S35-1/3M	24	12	10	8	1	24	1/2	1/2
4S70-1/3M, 4S70-1/2M, 4S10-1/2M, 4S10-3/4M	24	12	10	8	1	24	3/4	1/2
4S14-1/2M, 4S14-3/4M, 4S14-1M	24	12	10	8	1	24	1	3/4

**FUEL-PAC PACKAGE "A" (SIMPLEX)
 GG, HJ, HL, AS & AK SERIES DIMENSIONS**



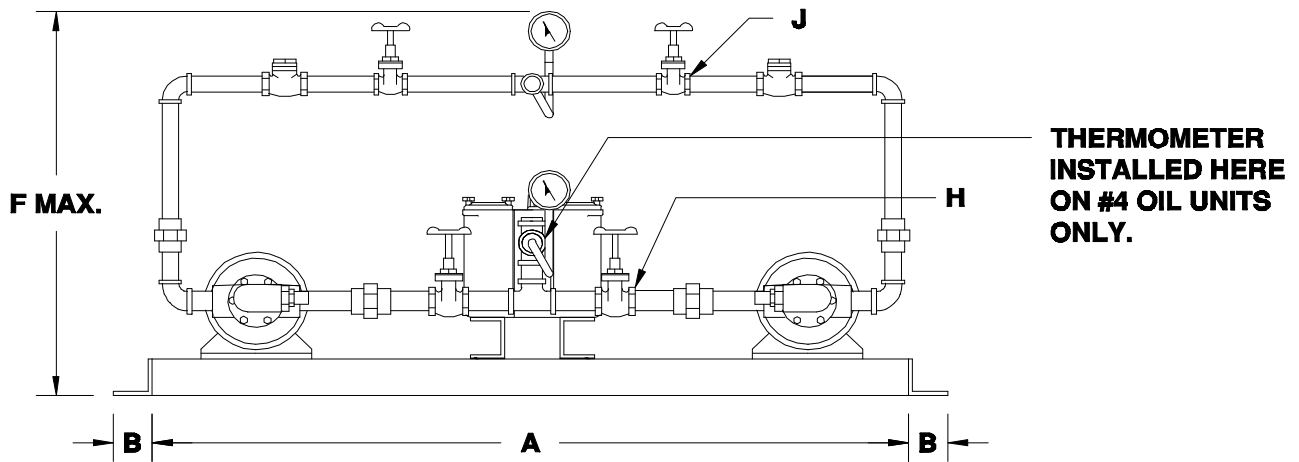
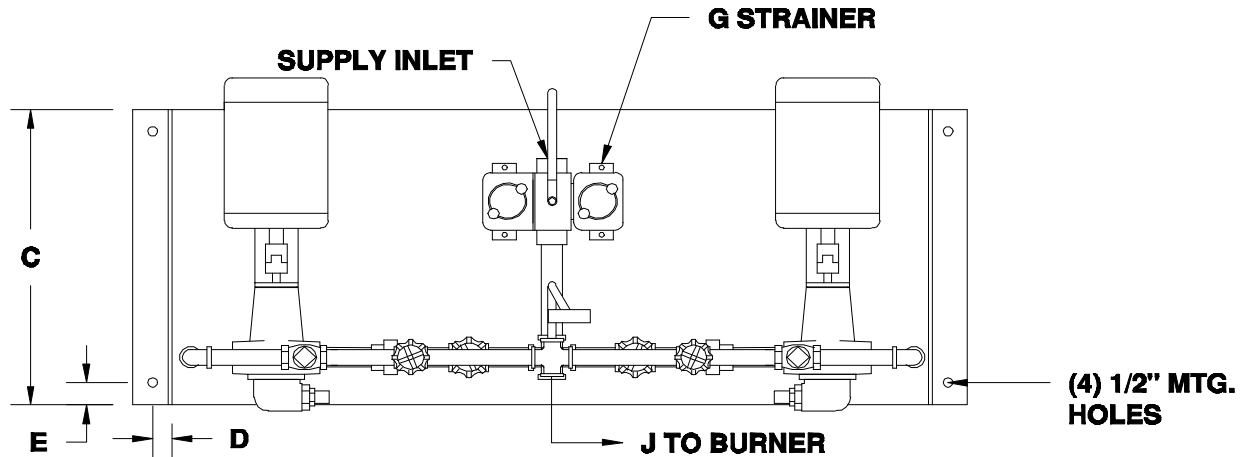
MODEL NUMBER	DIMENSIONS - IN INCHES							
	A	B	C	D	E	F	G	H
2GG-1/2L, 2GG-3/4L, 2GG-1 1/2L, 2GG-1M, 2GG-1 1/2M, 2GG-2M	24	12	10	8	1	24	1	3/4
2HJ-1L, 2HJ-1 1/2L, 2HJ-2L	24	12	10	8	1	24	1.5	1
2HL-1L, 2HL-2L, 2HL-3L, HJ-1 1/2M, 2HJ-2M, 2HJ-3M	30	15	12	10	1	24	1.5	1.25
2HL-2M, 2HL-3M, 2HL-5M	30	15	12	10	1	30	2	1.5
2AS-2L, 2AS-3L, 2AS-5L, 2AK-3L, 2AK-5L	36	21	16	10	1	36	2.5	2
2AK-7 1/2L	36	21	16	10	1	36	2.5	2
4GG-1/2L, 4GG-3/4L, 4GG-1L	24	12	10	8	1	24	1.5	1.25
4GG-1 1/2M, 4GG-2M, 4HJ-1 1/2L, 4HJ-2L, 4HJ-3L, 4HL-1 1/2L, 4HL-2L, 4HL-3L	30	15	12	10	1	30	2	1.5
4HJ-2M, 4HJ-3M, 4HJ-5M, 4HL-3M, 4HL-5M, 4AS-3L, 4AS-5L, 4AK-5L	36	21	16	10	1	36	2.5	2
4AK-7 1/2L	36	21	16	10	1	36	2.5	2

**FUEL-PAC PACKAGE "B" (DUPLEX)
 2S & 4S SERIES DIMENSIONS**



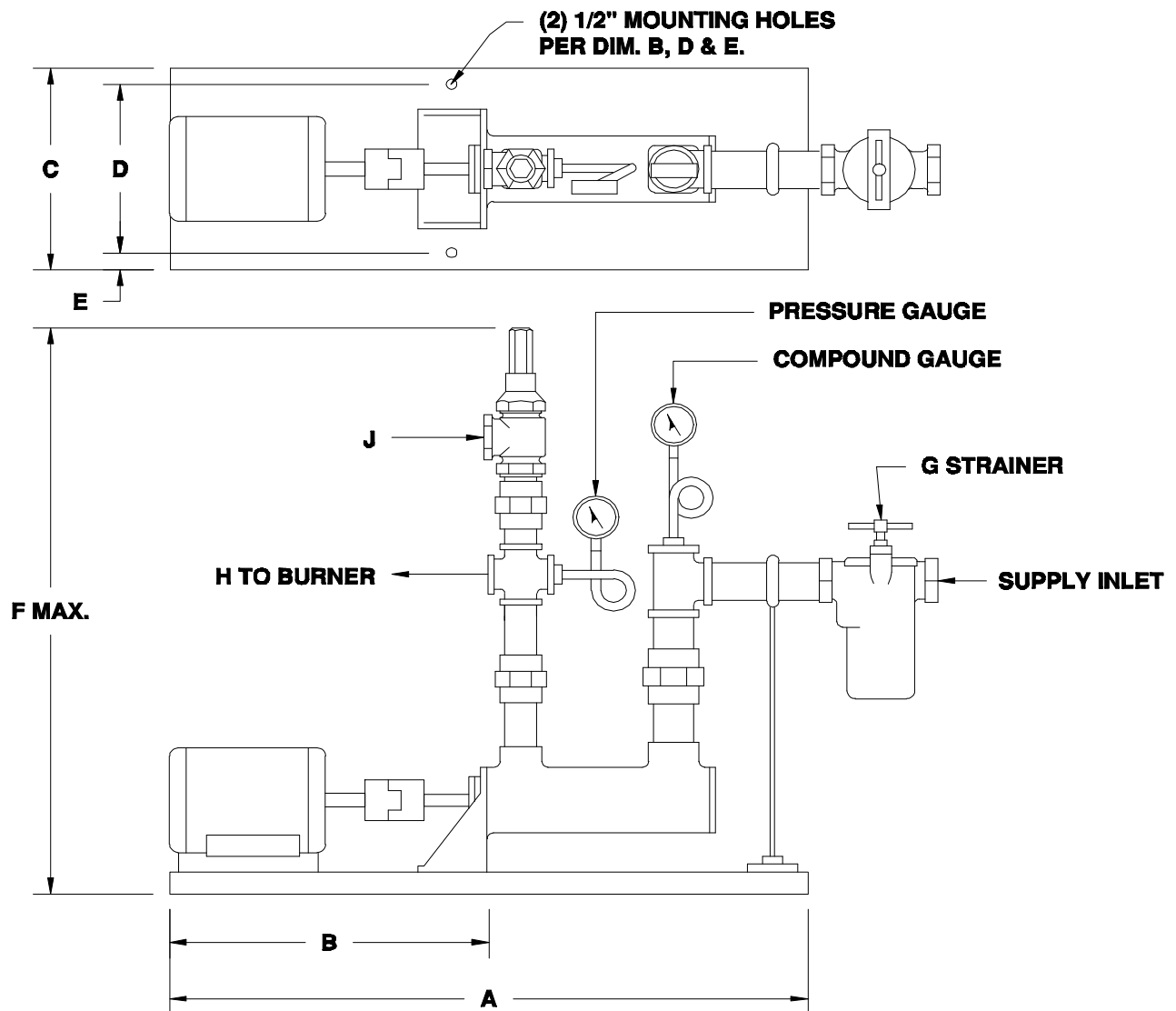
MODEL NUMBER	DIMENSIONS - IN INCHES								
	A	B	C	D	E	F	G	H	J
2S18-1/3M, 2S35-1/3M	36	2.5	16	1.25	1.5	30	1	1/2	1/2
2S70-1/3M, 2S10-1/3M, 2S10-1/2M	36	2.5	16	1.25	1.5	30	1	3/4	1/2
2S14-1/3M, 2S14-1/2M, 2S14-3/4M	36	2.5	16	1.25	1.5	30	1	1	3/4
4S18-1/3M, 4S35-1/3M	36	2.5	16	1.25	1.5	30	1	1/2	1/2
4S70-1/3M, 4S70-1/2M, 4S10-1/2M, 4S10-3/4M	36	2.5	16	1.25	1.5	30	1	3/4	1/2
4S14-1/2M, 4S14-3/4M, 4S14-1M	36	2.5	16	1.25	1.5	30	1	1	3/4

**FUEL-PAC PACKAGE "B" (DUPLIX)
 GG, HJ, HL, AS & AK SERIES DIMENSIONS**



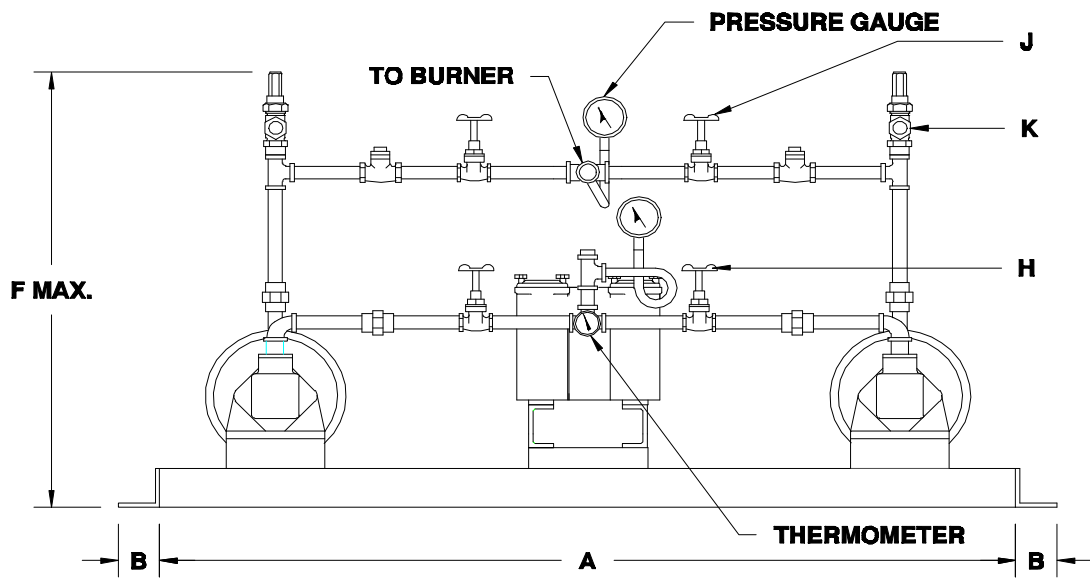
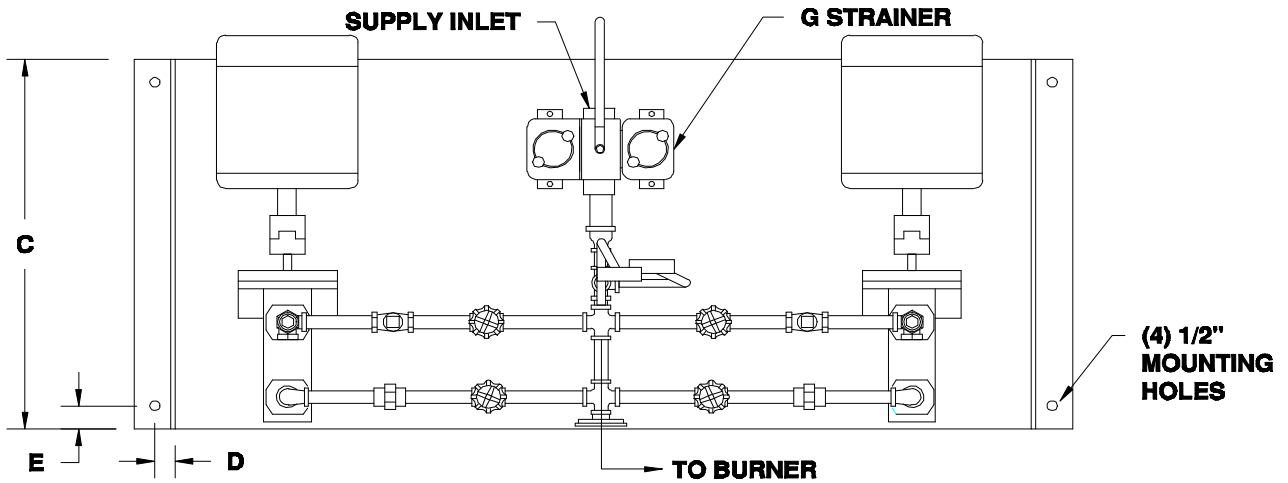
MODEL NUMBER	DIMENSIONS - IN INCHES								
	A	B	C	D	E	F	G	H	J
2GG-1/2L, 2GG-3/4L, 2GG-1 1/2L, 2GG-1M, 2GG-1 1/2M, 2GG-2M	48	2.5	20	1.25	1.5	30	1	1	3/4
2HJ-1L, 2HJ-1 1/2L	48	2.5	20	1.25	1.5	30	1.5	1.5	1
2HL-1L, 2HJ-1 1/2M, 2HJ-2M, 2HJ-3M	48	2.5	20	1.25	1.5	30	1.5	1.5	1.25
2HJ-2L, 2HL-2L, 2HL-3L	52	2.5	24	1.25	1.5	30	1.5	1.5	1.25
2HL-2M, 2HL-3M, 2HL-5M	52	2.5	24	1.25	1.5	36	2	2	1.5
2AS-2L, 2AS-3L, 2AS-5L, 2AK-3L, 2AK-5L	60	2.5	30	1.25	1.5	42	2.5	2.5	2
2AK-7 1/2L	72	2.5	36	1.25	1.5	42	2.5	2.5	2
4GG-1/2L, 4GG-3/4L, 4GG-1L	48	2.5	20	1.25	1.5	30	1.5	1.5	1.25
4GG-1 1/2M, 4GG-2M, 4HJ-1 1/2L, 4HJ-2L, 4HJ-3L, 4HL-1 1/2L, 4HL-2L, 4HL-3L	52	2.5	24	1.25	1.5	36	2	2	1.5
4HJ-2M, 4HJ-3M, 4HJ-5M, 4HL-3M, 4HL-5M, 4AS-3L, 4AS-5L, 4AK-5L	60	2.5	30	1.25	1.5	42	2.5	2.5	2
4AK-7 1/2L	72	2.5	36	1.25	1.5	42	2.5	2.5	2

FUEL-PAC PACKAGE "A" (SIMPLEX)
87P, 95, 118, 118P, 143, 143J, 162, 187 & 200 SERIES DIMENSIONS



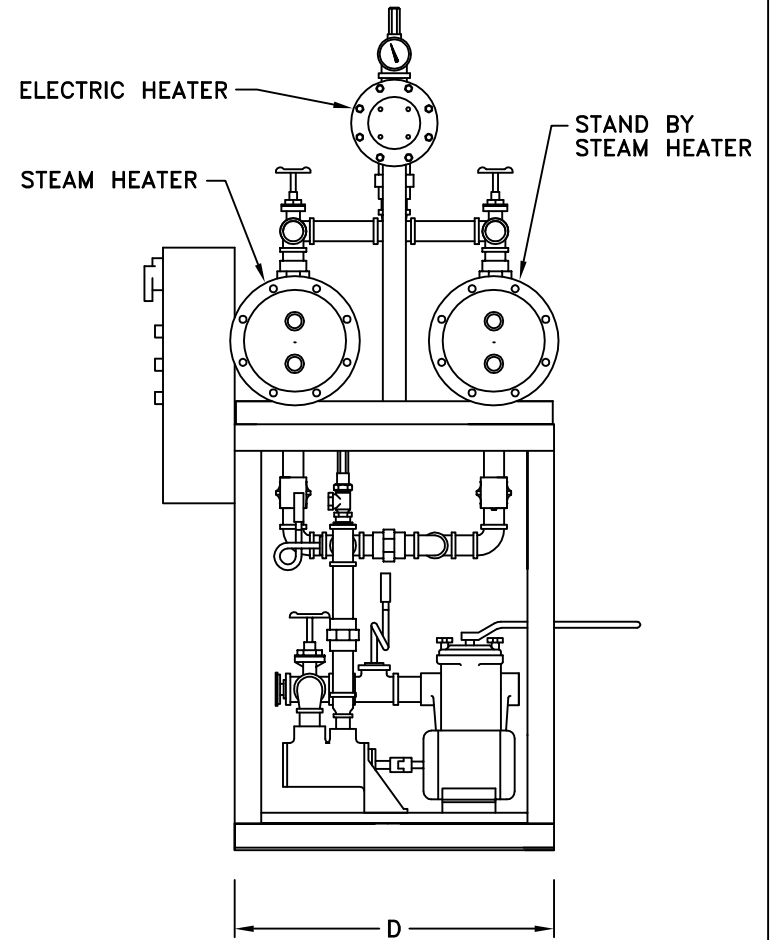
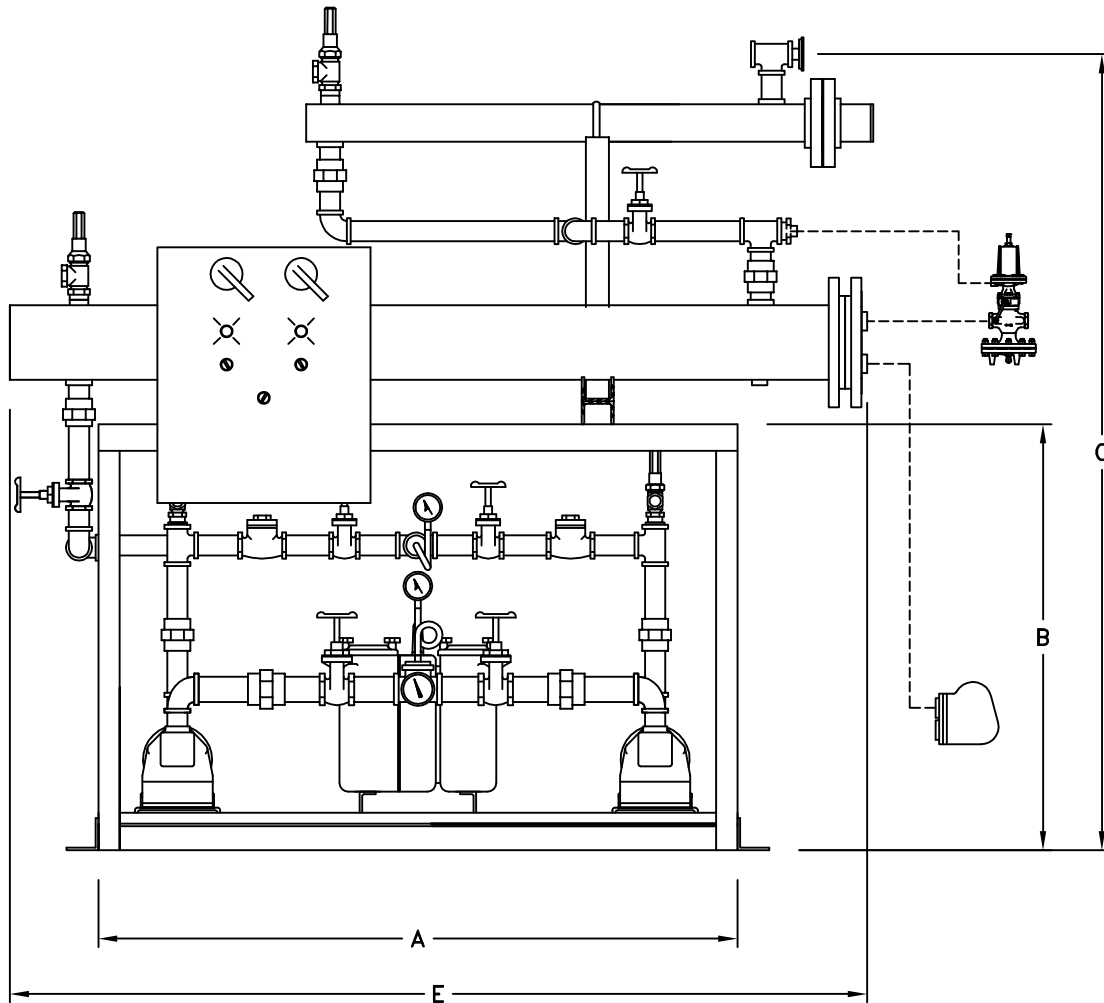
MODEL NUMBER	DIMENSIONS - IN INCHES								
	A	B	C	D	E	F	G	H	J
687P-1/2L, 695-1/2L, 695-3/4L	24	12	10	8	1	24	1.5	1.25	3/4
6118P-3/4L, 6118P-1L, 6118-3/4L, 6118-1L	24	12	10	8	1	24	2	1.5	3/4
6118-1 1/2L	30	15	12	8	1	24	2	1.5	3/4
6143J-1 1/2L, 6143J-2L, 6143-1 1/2L, 6143-2L	30	15	14	12	1	26	2.5	2	1
6143-3L	30	15	14	12	1	26	2.5	2	1
6162-2L, 6162-3L	30	15	14	12	1	26	3	2.5	1.25
6187-3L, 6187-5L, 6200-5L, 6200-7 1/2L	30	18	16	14	1	28	4 FLG.	3	1.25

FUEL-PAC PACKAGE "B" (DUPLEX)
87P, 95, 118, 118P, 143, 143J, 162, 187 & 200 SERIES DIMENSIONS



MODEL NUMBER	DIMENSIONS - IN INCHES									
	A	B	C	D	E	F	G	H	J	K
687P-1/2L, 695-1/2L, 695-3/4L	48	2.5	20	1.25	1.5	30	1.5	1.5	1.25	3/4
6118P-3/4L, 6118P-1L, 6118-3/4L, 6118-1L	48	2.5	20	1.25	1.5	36	2	2	1.5	3/4
6118-1 1/2L	52	2.5	24	1.25	1.5	36	2	2	1.5	3/4
6143J-1 1/2L, 6143J-2L, 6143-1 1/2L, 6143-2L	52	2.5	24	1.25	1.5	36	2.5	2.5	2	1
6143-3L	60	2.5	30	1.25	1.5	42	2.5	2.5	2	1
6162-2L, 6162-3L	60	2.5	30	1.25	1.5	48	3	3	2.5	1.25
6187-3L, 6187-5L, 6200-5L, 6200-7 1/2L	72	2.5	36	1.25	1.5	54	4	4	3	1.25

THIS DRAWING IS PROVIDED FOR GENERAL LAYOUT USE AND APPROXIMATE DIMENSIONS ONLY. SOME OF THE EQUIPMENT SHOWN IS OPTIONAL AND MAY NOT APPLY TO YOUR PROJECT. PROJECT SPECIFIC, DETAILED CAD DRAWINGS ARE PROVIDED AFTER RECEIPT OF AN ORDER



A: _____ D: _____
 B: _____ E: _____
 C: _____

BFS INDUSTRIES, LLC
 BUTNER, NORTH CAROLINA

R0

PACKAGED TYPE "D" PUMP AND HEATER SET