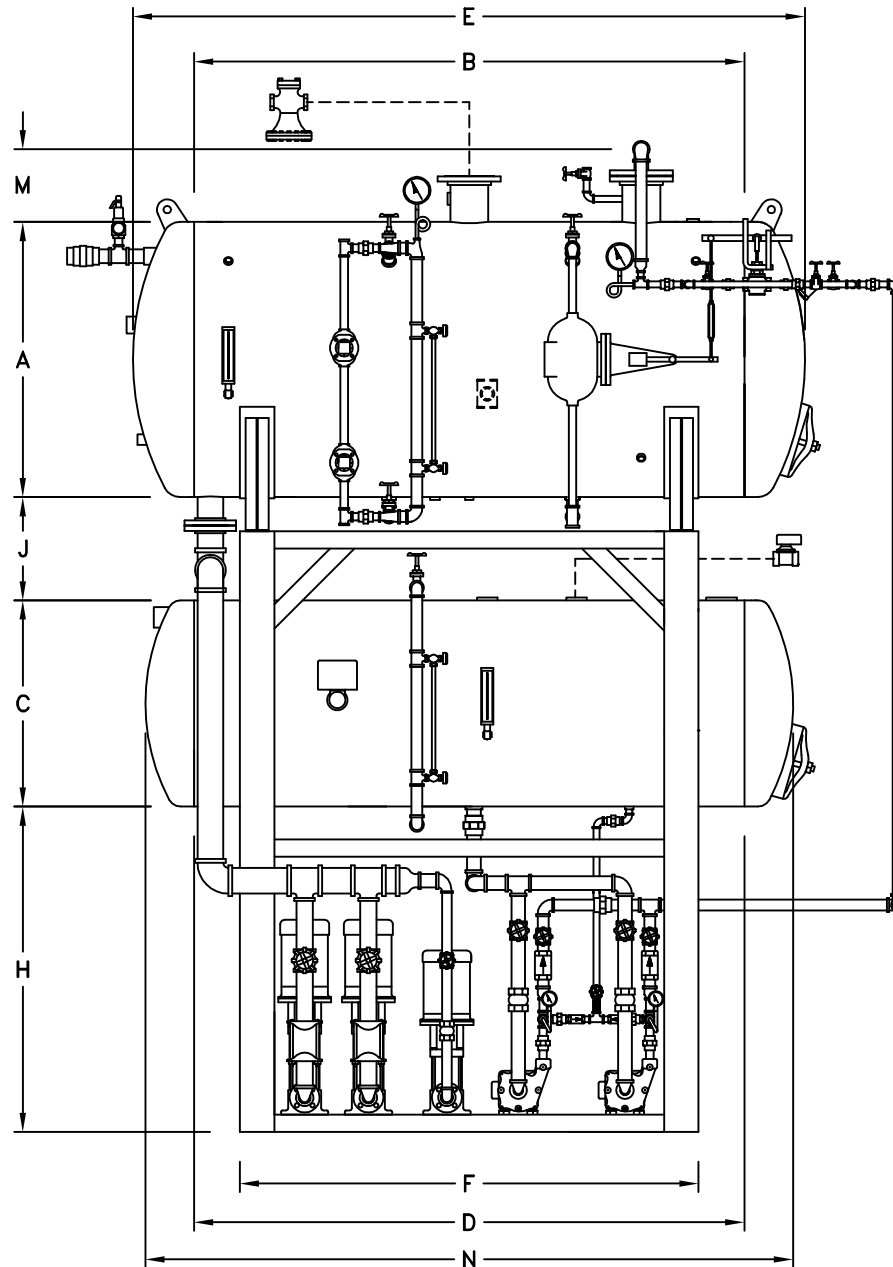
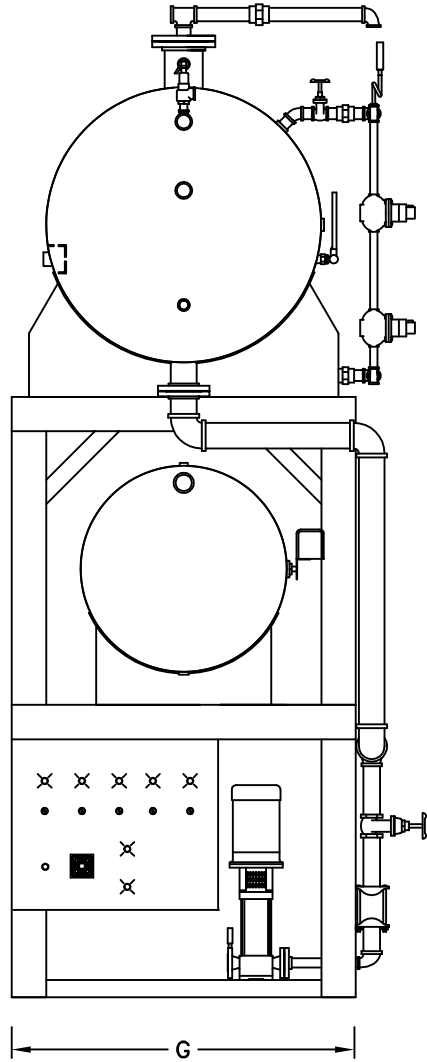


THIS DRAWING IS PROVIDED FOR GENERAL LAYOUT USE AND APPROXIMATE DIMENSIONS ONLY. SOME OF THE EQUIPMENT SHOWN IS OPTIONAL AND MAY NOT APPLY TO YOUR PROJECT. PROJECT SPECIFIC, DETAILED CAD DRAWINGS ARE PROVIDED AFTER RECEIPT OF AN ORDER



A: _____

D: _____

G: _____

M: _____

B: _____

E: _____

H: _____

N: _____

C: _____

F: _____

J: _____

BFS INDUSTRIES, LLC
 BUTNER, NORTH CAROLINA

R0

PACKAGED SPRAY TYPE OVER/UNDER
 DEAERATOR AND SURGE