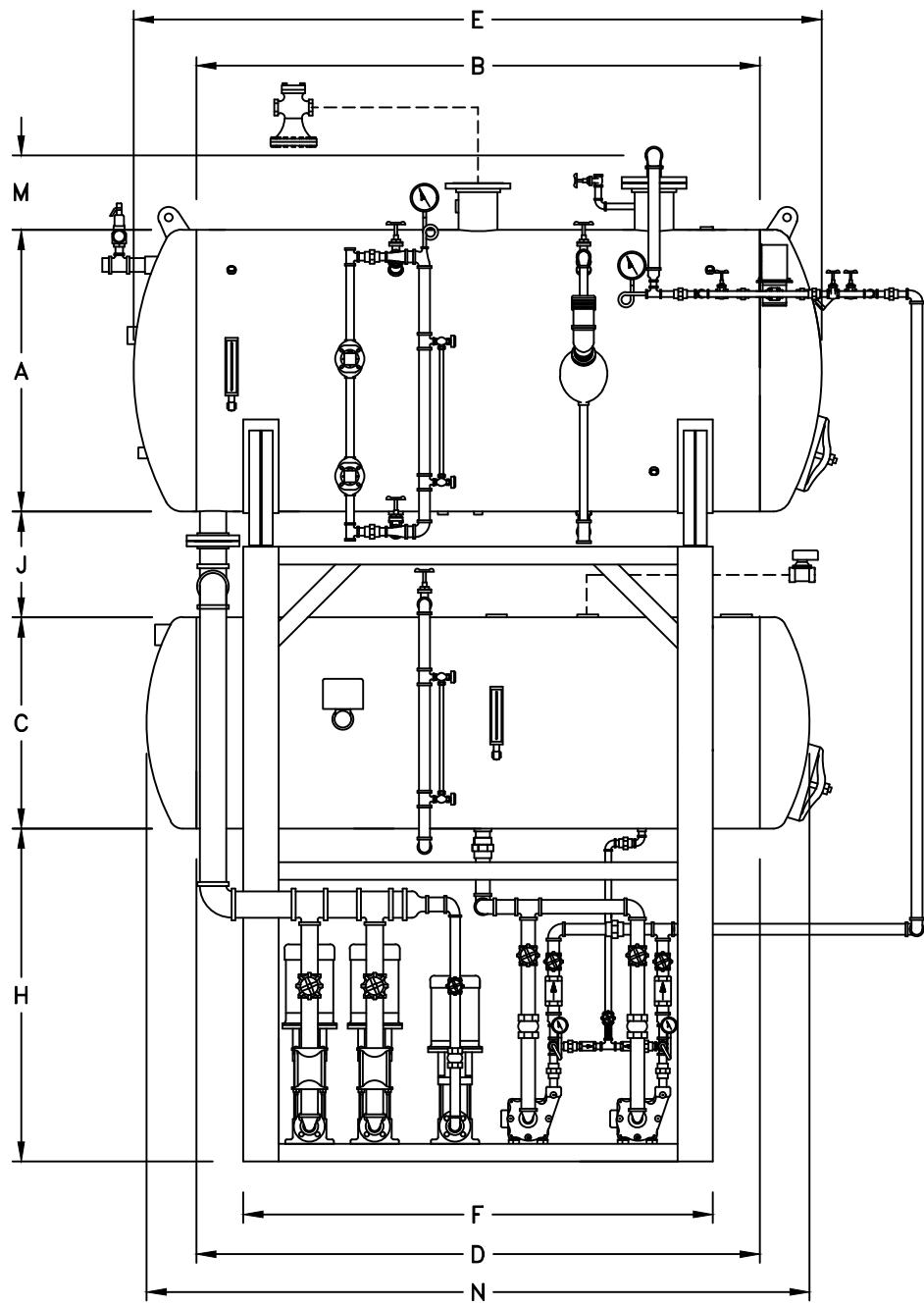
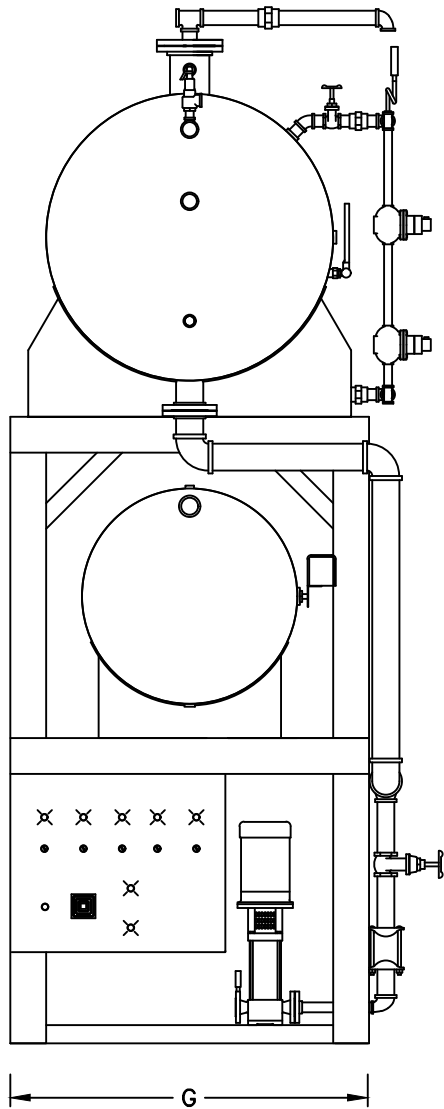


THIS DRAWING IS PROVIDED FOR GENERAL LAYOUT USE AND APPROXIMATE DIMENSIONS ONLY. SOME OF THE EQUIPMENT SHOWN IS OPTIONAL AND MAY NOT APPLY TO YOUR PROJECT. PROJECT SPECIFIC, DETAILED CAD DRAWINGS ARE PROVIDED AFTER RECEIPT OF AN ORDER



A: _____	D: _____	G: _____	M: _____
B: _____	E: _____	H: _____	N: _____
C: _____	F: _____	J: _____	

bfs INDUSTRIES, LLC
 BUTNER, NORTH CAROLINA

PACKAGED SPRAY TYPE OVER & UNDER
 DEAERATOR AND SURGE

R1