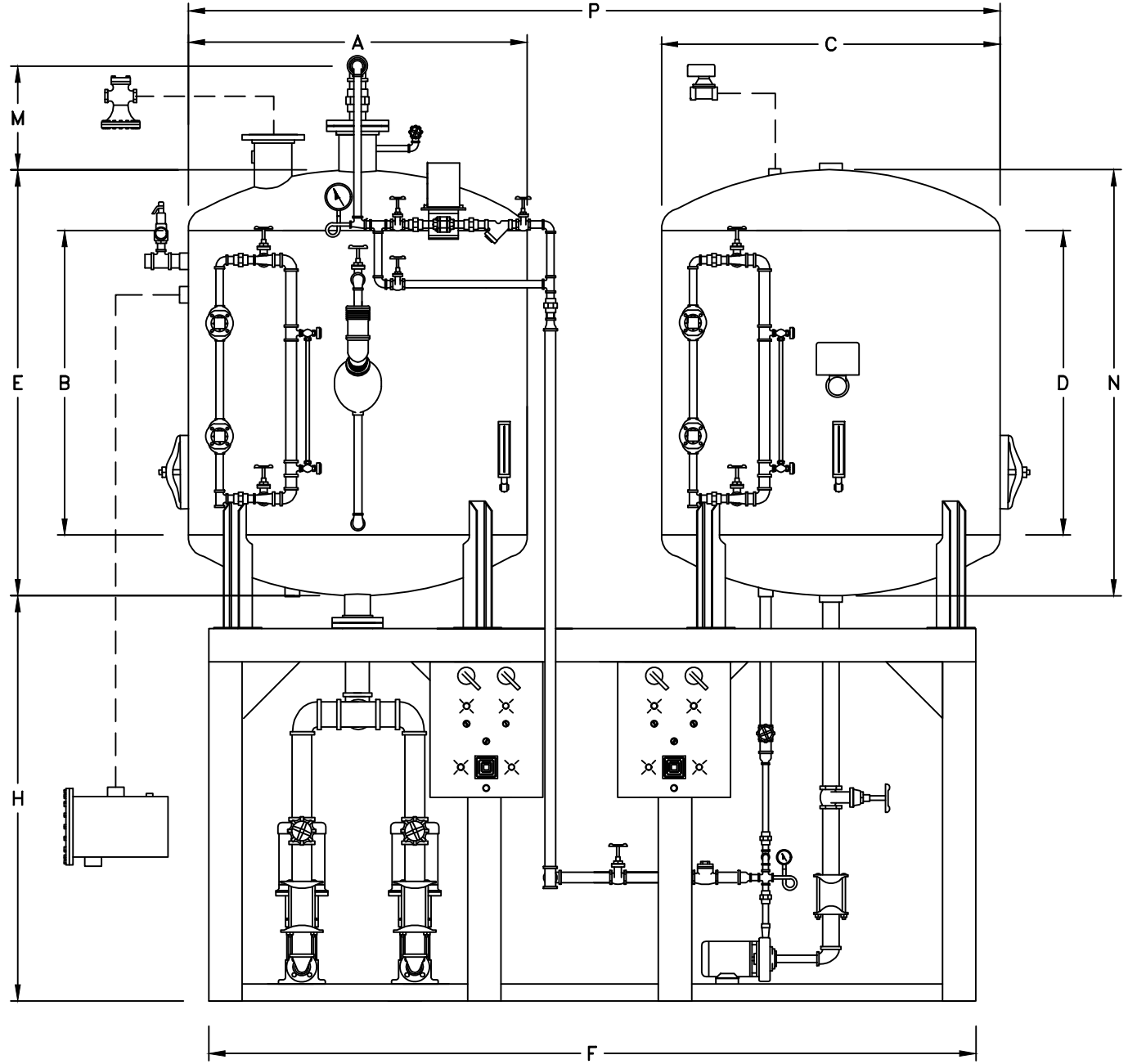
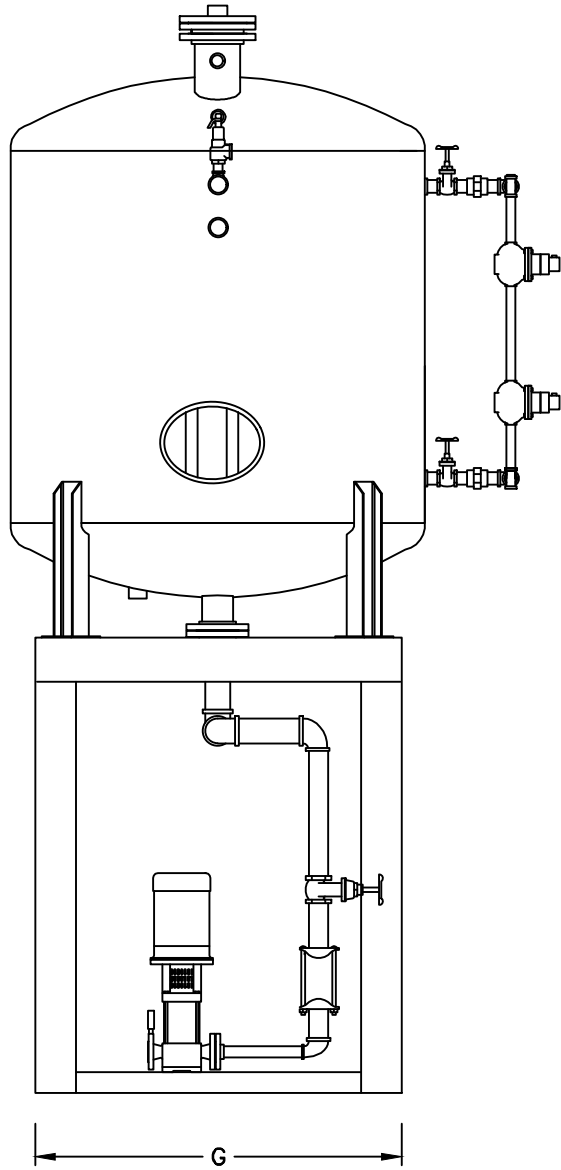


THIS DRAWING IS PROVIDED FOR GENERAL LAYOUT USE AND APPROXIMATE DIMENSIONS ONLY. SOME OF THE EQUIPMENT SHOWN IS OPTIONAL AND MAY NOT APPLY TO YOUR PROJECT. PROJECT SPECIFIC, DETAILED CAD DRAWINGS ARE PROVIDED AFTER RECEIPT OF AN ORDER



A: _____
 B: _____
 C: _____

D: _____
 E: _____
 F: _____

G: _____
 H: _____
 M: _____

N: _____
 P: _____

***bfs* INDUSTRIES, LLC**
 BUTNER, NORTH CAROLINA

R1
 PACKAGED SPRAY TYPE SIDE BY SIDE
 VERTICAL DEAERATOR AND VERTICAL SURGE