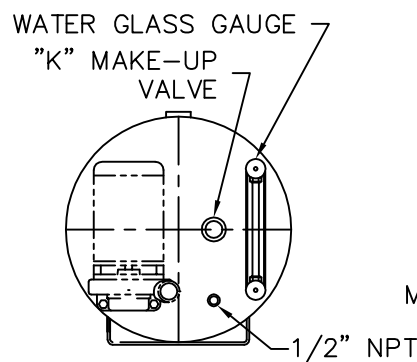
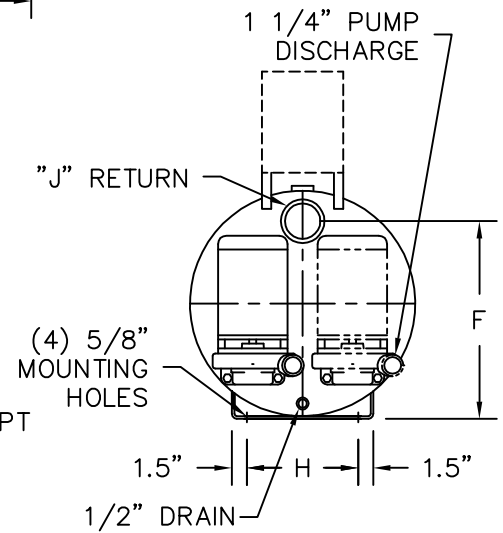


**LEFT HEAD**



**LPR2 - DUPLEX LEFT HEAD  
(SEE NOTE 4)**



**RIGHT HEAD**

TANK SIZE	GALLONS	DIMENSIONS - INCHES										
		A	B	C	D	E	F	G	H	J	K	L
LPR2	30	47.5	16	36	28.5	3.75	14	17	9	2	0.375	1
LPR3	60	47.5	22	36	28.5	3.75	19.5	23	11	2.5	0.5	1.25
LPR4	125	71.5	24	60	33.5	13.25	21	25	13	3	0.5	1.5
LPR5	225	83.5	30	72	45	13.5	26	31	17	4	0.5	2

**NOTES:**

1. THIS DRAWING IS NOT FOR CONSTRUCTION PURPOSES.
2. ALL DIMENSIONS ARE IN INCHES.
3. 2nd PUMP ON A DUPLEX SYSTEM IS SHOWN IN PHANTOM (#LPR1 DUPLEX UNIT SEE NOTE 4).
4. ON MODEL LPR2 DUPLEX, SECOND PUMP LOCATED HERE, INCREASE DIM "A" BY 12".

**bfs INDUSTRIES, LLC**  
BUTNER, NORTH CAROLINA

FEED-PAC "LPR" DIMENSIONS