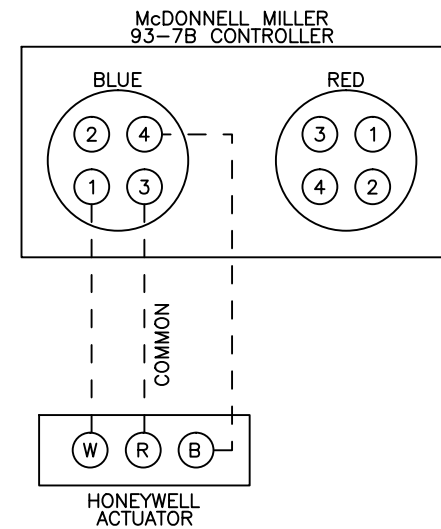


- GENERAL NOTES:**
1. TYPE 12 ENCLOSURE, 30" x 24" x 9".
  2. SHORT CIRCUIT CURRENT RATING: 5,000 AMPS RMS SYMMETRICAL.
  3. THIS PRODUCT HAS EARNED THE UL LISTING MARK.

- NOTES:**
1. 460 VAC, 3 $\phi$ , 60 HZ SERVICE. USE COPPER WIRE, 75° C INSULATION. FIELD TO INSTALL DISCONNECTING MEANS AND FUSE/BREAKER PROTECTION.
  2. 10-AMP, CLASS J, TIME-DELAY FUSES.
  3. LLS CONTACT (1&2) IS FACTORY SUPPLIED. CONTACT OPENING STOPS PUMP. CONTACT IS ELECTRICALLY NORMALLY OPEN, CLOSED BY WATER ABOVE SWITCH LEVEL.
  4. LLS CONTACT (3&4) IS FACTORY SUPPLIED. CONTACT CLOSURE CAUSES ALARM. CONTACT IS ELECTRICALLY NORMALLY CLOSED, OPENED BY WATER ABOVE SWITCH LEVEL.
  5. HLS CONTACT (1&2) IS FACTORY SUPPLIED. CONTACT CLOSURE CAUSES ALARM. CONTACT IS ELECTRICALLY NORMALLY OPEN, CLOSED BY WATER ABOVE SWITCH LEVEL.
  6. PCS IS FIELD SUPPLIED. CONTACT CLOSURE STARTS PUMP.



**LEGEND:**

- |                             |                               |                             |
|-----------------------------|-------------------------------|-----------------------------|
| AS = ALARM SILENCE          | LLS = LOW LEVEL SWITCH        | INTERNAL CONDUCTOR          |
| D = DISCONNECT              | M = MOTOR                     | EXTERNAL CONDUCTOR          |
| F = FUSE                    | MS = MOTOR STARTER            | ○ ELECTRICAL CONNECTION     |
| G = GROUND                  | N = NEUTRAL                   | ⊙ TERMINAL BLOCK CONNECTION |
| H = HOT                     | OL = OVERLOAD                 |                             |
| HLL = HIGH LEVEL LIGHT      | PCS = PUMP CONTROL SWITCH     |                             |
| HLS = HIGH LEVEL SWITCH     | RL = RUN LIGHT                |                             |
| HOAS = HAND-OFF-AUTO SWITCH | T = TRANSFORMER               |                             |
| HP = HORSEPOWER             | TTS = TRIPLEX TRANSFER SWITCH |                             |
| L = LINE                    |                               |                             |

Revisions:		

THIS DRAWING IS THE PROPERTY OF BFS INDUSTRIES, LLC, AND IS SUBJECT TO CHANGE WITHOUT NOTICE. THE INFORMATION CONTAINED HEREIN IS TO BE USED ONLY FOR THE JOB INDICATED, AND IS NOT TO BE COPIED, TRANSMITTED OR USED IN ANY WAY DETRIMENTAL TO THE COMPANY.

**bfs INDUSTRIES, LLC**  
BUTNER, NORTH CAROLINA

DESCRIPTION **9MS-130 TRIPLEX ZER-0-PAC**

S.O.#

JOB

CUSTOMER

Scale: NONE	Date	Drawing no	Rev.
Drawn		19999D-SC	0
Apprvd: J. Samborsky			