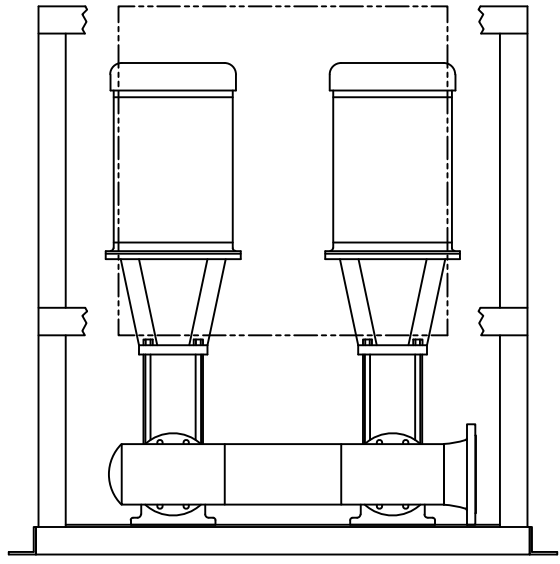
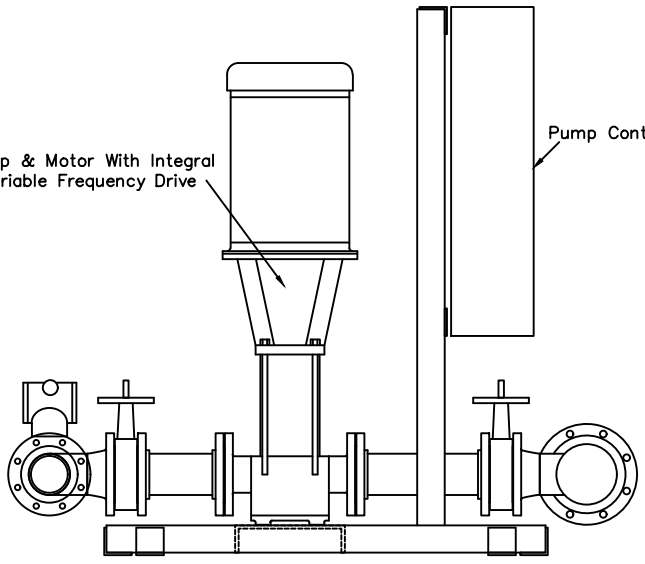


Pump & Motor With Integral Variable Frequency Drive

Pump Control Panel

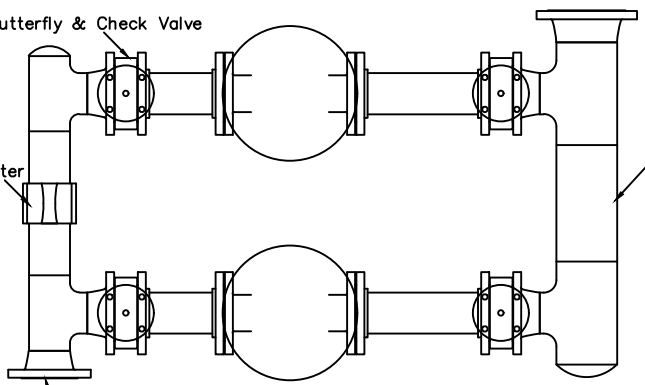


Butterfly & Check Valve

Pressure Transmitter

S.S. Flanged Suction

S.S. Flanged Discharge



△		
△		
△		
△		
△		

REVISIONS:

THIS DRAWING IS THE PROPERTY OF BFS INDUSTRIES, LLC, AND IS SUBJECT TO CHANGE WITHOUT NOTICE. THE INFORMATION CONTAINED HEREIN IS TO BE USED ONLY FOR THE JOB INDICATED, AND IS NOT TO BE COPIED, TRANSMITTED OR USED IN ANY WAY DETRIMENTAL TO THE COMPANY.

BFS INDUSTRIES, LLC
 BUTNER, NORTH CAROLINA

DESCRIPTION SAMPLE BOOSTER SKID	
S.O.#	—
JOB	—
CUSTOMER	—
Scale: 22x	DRAWING No.
Drawn: MG	SAMPLE
Apprvd:	
Date: 11/13/2019	
	Rev.
	0